



# Compofil-PET 356

Compofil®-PET是一种玻璃纤维涂覆PET树脂而成的高性能预浸料，可直接用来成型玻纤增强PE7树脂复合材料，而不需要增加额外的树脂。

356为Compofil系列产品中的一款，该产品适用的成型工艺包括模压、真空辅助成型、拉挤成型和缠绕成型等，其应用领域涵盖航空航天、汽车工业、建筑、体育器材、新能源等各个方面。

Compofil®-PET is a kind of thermoplastic prepreg made from continuous fiberglass coated with PET resin. It is specially designed to manufacture high performance PET composites directly with no need for extra resin.

356 is a kind of Compofil product. It is suitable for various composite processes including compression molding, vacuum molding, filamentwinding, pultrusion etc. The application fields include aerospace, automotive, construction, sports and energy industry.

### 产品特点

- ◎ 稳定的热塑性预浸料，自身浸渍优良
- ◎ 生产环境清洁，可回收，绿色环保
- ◎ 工艺周期短，生产效率高
- ◎ 玻璃纤维含量高

### Product Features

- ◎ Stable thermoplastic prepreg with excellent self-impregnation.
- ◎ Environment-friendly production process and recyclability.
- ◎ High productivity and short processing cycle.
- ◎ High glass content.

### 现有产品 Product Availability

- ◎ Compofil-PET-70-R-2690N-356
- ◎ 其它规格可定制

Other products available upon request

### 代号示例 Product Reference:

Compofil-PET-70-R-2690N-356  
 PET:树脂 Polyethylene terephthalate resin  
 70:玻璃纤维含量 Glass content(wt%)  
 R:纱线 Roving  
 2690:线密度 Linear density(tex)  
 N:本色 Natural color  
 356:牌号 Product code



## 机械性能参数 Mechanical Properties

环境温度: 23°C, 环境温度: 50%;  
 制作工艺: 模压制板。  
 Environmental Temperature: 23°C, Humidity: 50%.  
 Compression molding.

性能 Property	单位 Unit	标准 Standard	
树脂 Resin	/	/	PET
玻纤含量 Glass Content	%	GB/T 2577	60
拉伸强度 Tensile Strength	MPa	ISO 527-5	970
拉伸模量 Tensile Modulus	GPa	ISO 527-5	42
弯曲强度 Flexural Strength	MPa	ISO 178	691
弯曲模量 Flexural Modulus	GPa	ISO 178	36
缺口冲击强度 Notched Impact	kJ/m <sup>2</sup>	ISO 179	405

## 包装信息 Packaging

\* 采用托盘包装或小纸箱包装  
 The product can be packed on pallet or in small cardboard boxes.

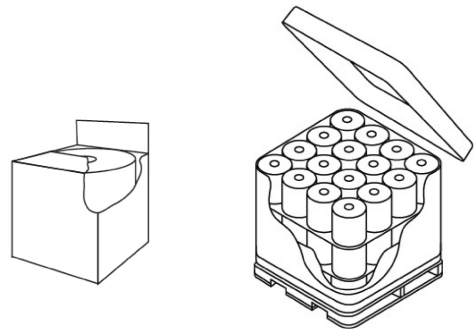
纱团高度 Package height mm (in)	300 (11.8)
纱团内经 Package inside diameter mm (in)	160 (6.3)
纱团外径 Package outside diameter mm (in)	218 (8.6)

层数 Number of layers	3	4
每层纱团个数 Number of doffs per layer	25	
每托纱团个数 Number of doffs per pallet	75	100

## 贮存 Storage

在没有特殊要求的情况下，玻璃纤维产品应贮存在干燥、凉爽的地方，防止受潮。建议保持室内温度平衡，最佳存储条件为温度-10°C~35°C，相对湿度≤80%。本产品可在12个月内使用最佳，使用前应保持在原包装内，为确保安全，避免损坏产品，托盘的堆码高度不应超过三层。当堆放两层或三层高时，要求正确地、平稳地移动上面的托盘。

Unless otherwise specified, the fiberglass products should be stored in a dry, cool and moisture-proof area. The fiberglass products should remain in their original package until prior to use. The room temperature and humidity should be always maintained at -10°C~35°C and ≤80% respectively. To ensure safety and avoid damage to the product, the pallets should not be stacked more than three layers high. When the pallets are stacked in 2 or 3 layers, special care should be taken to correctly and smoothly move the top pallet.



## 中国巨石股份有限公司 CHINA JUSHI CO., LTD.

地址: 浙江省桐乡经济开发区, 邮编: 314500 Add: Tongxiang Economic Development Zone, Zhejiang 314500, China

(国内销售 Domestic Sales) 电话Tel: +86-573-88181016 传真Fax: +86-573-88136248  
 (国际销售 International Sales) 电话Tel: +86-573-88136318 传真Fax: +86-573-88181058  
 (客服 Customer Service) 电话Tel: +86-573-88136325 传真Fax: +86-573-88136248

http://www.jushi.com E-mail: info@jushi.com